

### Water-to-Water Heat Exchanger System FlowCool *Unicus*

The FlowCool *Unicus* is a cooling system without active refrigeration. The process heat is transferred via a heat exchanger to the central cooling water supply (=in-house cooling circuit). The application itself is cooled via its own water circuit (=application cooling circuit). This system offers controllable water quality and runs very quietly. For this reason it is popular in laboratories and other working areas.

The FlowCool *Unicus* can be usefully employed whenever the required or acceptable temperature for the application lies above the temperature of the central cooling water supply. It is supplied ready for connection and equipped with:

- Plastic tank
- Electronic control with digital display
- General alarm
- Remote control
- Plate heat exchanger (stainless steel, copper-brazed)
- Pump
- Pump pressure gauge
- 2-way control valve
- Housing powder-coated steel plate RAL 7035 (light grey)
- Level switch

Model FlowCool <i>Unicus</i>	FCUN 130	FCUN 150
Net cooling capacity*	kW : 129.3	150.4
Operating range cooling temperature °C	:+10 / +50	+10 / +50
Operating range ambient temperature °C	:+2 / +40	+2 / +40
Temperature constancy****	K : ±2	±2
Rated coolant flow**	m³/h : 22.2	25.9
Pump	type : P2-AP13B	P2-AP13B
Pump pressure***	bar : 2.1	1.9
Tank capacity	litres : 100	500
Water connection (female)	Inch : G 2½"	G 3"
Power input max.	kW : 2.2	7.5
Operating voltage	volt/Hz/phase : 400/50/3	400/50/3
Weight	kgs : 256	450
Dimensions (WxDxH)	mm : 760x1325x1400	1520x1325x1400

\* at dT 5K between in-house cooling circuit / application cooling circuit.

\*\* at dT 5K in the application cooling circuit between feed and return.

\*\*\* pressure at rated coolant flow.

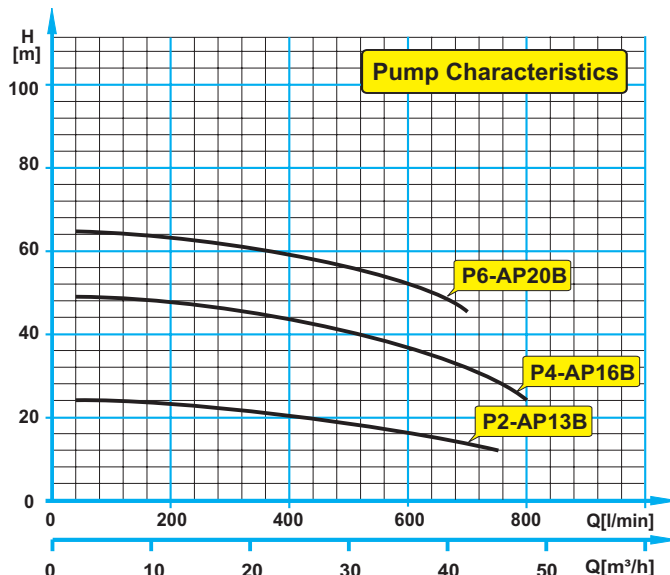
\*\*\*\* other temperature constancies on request.

**Alternative units:** FCUN 110

### FlowCool *Unicus* + options / accessories: Cat. No.

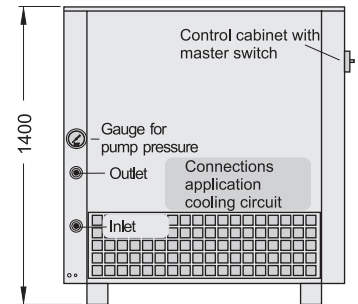
FlowCool <i>Unicus</i> FCUN 130-NEB	GUFCUN130-NEB
FlowCool <i>Unicus</i> FCUN 150-NEB	GUFCUN150-NEB
Pumpe P4-AP16B instead of P2-AP13B	MFCUN6-P4-AP16B-150
Pumpe P6-AP20B instead of P2-AP13B	MFCUN6-P6-AP20B-150
Continuous-flow system without tank and/or without pump	on request
Automatic by-pass valve	ZFCUN6-041-150
4 swivel castors, 2 with brakes	YFCUN5-021-150
Export version with special voltages / frequencies	on request

Additional options and accessories as well as pump alternatives on request.

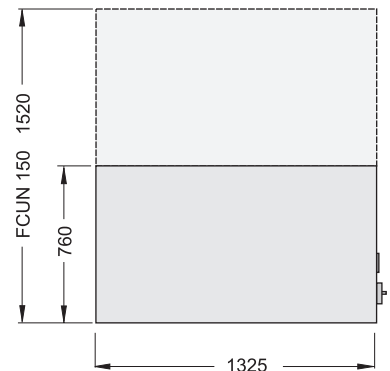


FlowCool *Unicus* FCUN 130  
(with option colour RAL 7043 - traffic grey B)

### Left side



### Top



### Right side

