

Water-to-Water Heat Exchanger System FlowCool *Unicus*

The FlowCool *Unicus* is a cooling system without active refrigeration. The process heat is transferred via a heat exchanger to the central cooling water supply (=in-house cooling circuit). The application itself is cooled via its own water circuit (=application cooling circuit). This system offers controllable water quality and runs very quietly. For this reason it is popular in laboratories and other working areas.

The FlowCool *Unicus* can be usefully employed whenever the required or acceptable temperature for the application lies above the temperature of the central cooling water supply. It is supplied ready for connection and equipped with:

- Plastic tank
- Electronic control with digital display
- General alarm
- Remote control
- Plate heat exchanger (stainless steel, copper-brazed)
- Pump
- Pump pressure gauge
- 2-way control valve
- Housing powder-coated steel plate RAL 7043 (traffic grey B)
- Level switch



FlowCool *Unicus*
(with option castors)

Model FlowCool <i>Unicus</i>	FCUN 004	FCUN 006	FCUN 011
Net cooling capacity*	kW : 3.8	6.5	11.5
Operating range cooling temperature	°C : +10 / +50	+10 / +50	+10 / +50
Operating range ambient temperature	°C : +2 / +40	+2 / +40	+2 / +40
Temperature constancy****	K : ±2	±2	±2
Rated coolant flow**	m³/h : 0.7	1.1	2.0
Pump	type : P3-BR11A	P6-BR12A	P6-BR12A
Pump pressure***	bar : 2.9	4.2	2.3
Tank capacity	litres : 10	10	10
Water connection (female)	Inch : G ½"	G ½"	G ½"
Power input max.	kW : 0.4	0.55	0.55
Operating voltage	volt/Hz/phase : 230/50/1	230/50/1	230/50/1
Weight	kgs : 22	32	33
Dimensions (WxDxH)	mm : 445x575x540	445x575x540	445x575x540

* at dT 5K between in-house cooling circuit / application cooling circuit.

** at dT 5K in the application cooling circuit between feed and return.

*** pressure at rated coolant flow.

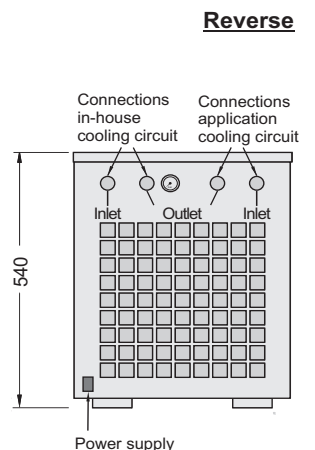
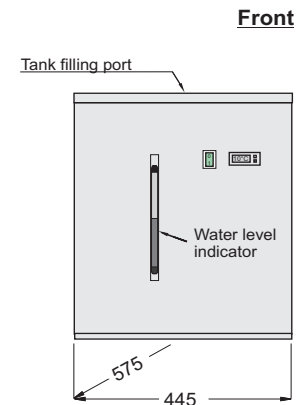
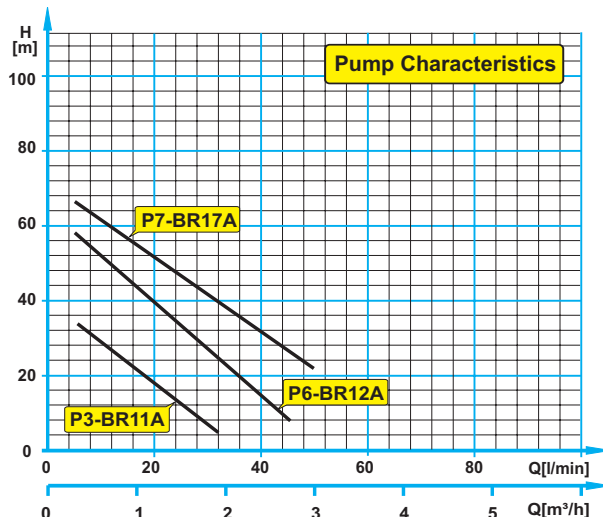
**** other temperature constancies on request.

Alternative units: FCUN 001 and FCUN 015

FlowCool *Unicus* + options / accessories: Cat. No.

FlowCool Unicus FCUN 004-NEA	GUFUN004-NEA
FlowCool Unicus FCUN 006-NEA	GUFUN006-NEA
FlowCool Unicus FCUN 011-NEA	GUFUN011-NEA
Pumpe P6-BR12A instead of P3-BR11A	MFCUN6-P6-BR12A-004
Pumpe P7-BR17A instead of P3-BR11A	MFCUN6-P7-BR17A-004
Pumpe P7-BR17A instead of P6-BR12A	MFCUN6-P7-BR17A-011
Continuous-flow system without tank and/or without pump	on request
Automatic by-pass valve	ZFCUN6-041-011
4 swivel castors, 2 with brakes	YFCUN5-021-011
Export version with special voltages / frequencies	on request

Additional options and accessories as well as pump alternatives on request.



[Http://www.NationalLab.eu](http://www.NationalLab.eu)

National Lab GmbH
 Tel.: +49 45 42 / 84 91 - 10
 Grambeker Weg 157
 D-23879 Moelln
 Fax: +49 45 42 / 84 91 - 11
 e-Mail: ProfiCool@NationalLab.com