

Water-to-Water Heat Exchanger System FlowCool *Unicus*

The FlowCool *Unicus* is a cooling system without active refrigeration. The process heat is transferred via a heat exchanger to the central cooling water supply (=in-house cooling circuit). The application itself is cooled via its own water circuit (=application cooling circuit). This system offers controllable water quality and runs very quietly. For this reason it is popular in laboratories and other working areas.

The FlowCool *Unicus* can be usefully employed whenever the required or acceptable temperature for the application lies above the temperature of the central cooling water supply. It is supplied ready for connection and equipped with:

- Plastic tank
- Electronic control with digital display
- General alarm
- Remote control
- Plate heat exchanger (stainless steel, copper-brazed)
- Pump
- Pump pressure gauge
- 2-way control valve
- Housing powder-coated steel plate RAL 9002 (grey white)
- Level switch



FlowCool *Unicus*

Model FlowCool <i>Unicus</i>	FCUN 001
Net cooling capacity*	kW : 1.3
Operating range cooling temperature	°C : +10 / +50
Operating range ambient temperature	°C : +2 / +40
Temperature constancy****	K : ±2
Rated coolant flow**	m ³ /h : 0.6
Pump	type : P3-BR11A
Pump pressure***	bar : 2.9
Tank capacity	litres : 10
Water connection (hose olives)	: for hose 12 mm inside diameter
Power input max.	kW : 0.4
Operating voltage	volt/Hz/phase : 230/50/1
Weight	kgs : 19
Dimensions (WxDxH)	mm : 230x520x650

* at dT 5K between in-house cooling circuit / application cooling circuit.

** at dT 5K in the application cooling circuit between feed and return.

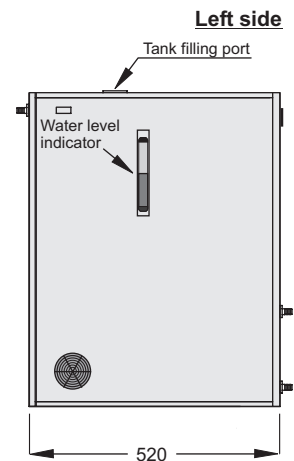
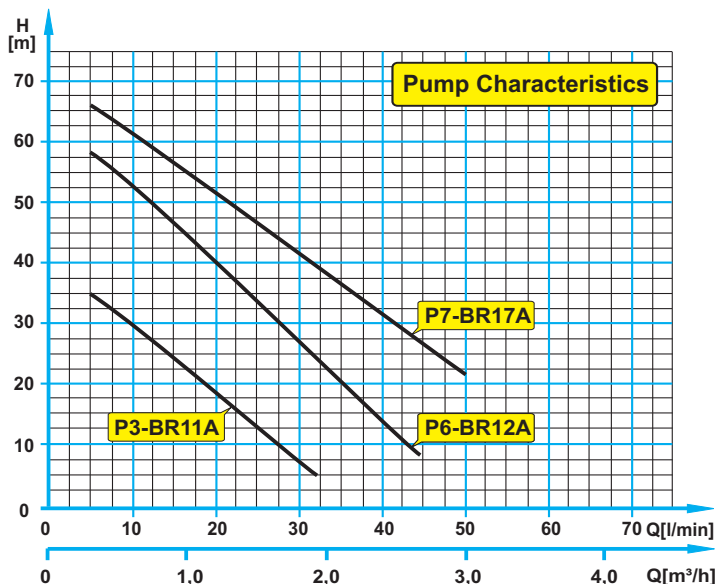
*** pressure at rated coolant flow.

**** other temperature constancies on request.

Alternative units: FCUN 004

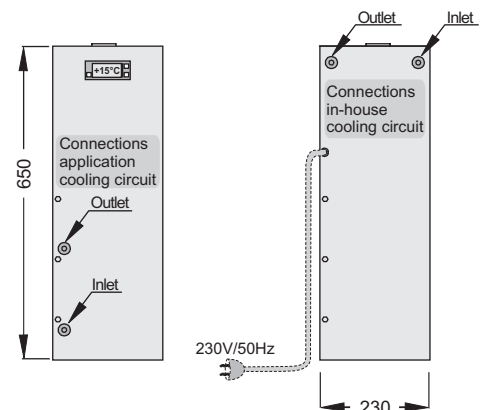
FlowCool <i>Unicus</i> + options / accessories:	Cat. No.
FlowCool <i>Unicus</i> FCUN 001-NEA	GUFCUN001-NEA
Pumpe P6-BR12A instead of P3-BR11A	MFCUN6-P6-BR12A-001
Pumpe P7-BR17A instead of P3-BR11A	MFCUN6-P7-BR17A-001
Continuous-flow system without tank and/or without pump	on request
Automatic by-pass valve	ZFCUN6-041-001
Export version with special voltages / frequencies	on request

Additional options and accessories as well as pump alternatives on request.



Front

Reverse



<http://www.NationalLab.eu>

National Lab GmbH Tel.: +49 45 42 / 84 91 - 10
 Grambeker Weg 157 Fax: +49 45 42 / 84 91 - 11
 D-23879 Moelln e-Mail: ProfCool@NationalLab.com